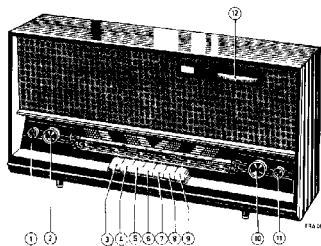


SERVICE NOTES

RADIO

4246AT/00/01/19



CONTROLS	BEDIENING	BEDIENUNG	COMMANDE	ORGANOS DE MANDO
Tone control (low)	1 Toonregelaar (laag)	Tonregler (Bass)	Contrôle de tonalité (graves)	1 Control de tono (bajo)
Volume control	2 Volumeregelaar	Lautstärkereglér	Contrôle d'intensité	2 Control de volumen
Mains switch	3 Netschakelaar	Netzschalter	Interrupteur	3 Interruptor de red
A.F.C. switch	4 A.F.R.-schakelaar	A.F.R.-Schalter	Commande de C.A.F.	4 Conmutador de C.A.F.
FM switch	5 FM-schakelaar	UKW-Schalter	Commande de FM	5 Conmutador de FM
PU switch	6 PU-schakelaar	TA-Schalter	Commande de PU	6 Conmutador de PU
LW switch	7 LG-schakelaar	LW-Schalter	Commande de GO	7 Conmutador de GL
MW switch	8 MG-schakelaar	MW-Schalter	Commande de PO	8 Conmutador de OM
SW switch	9 KO-schakelaar	KW-Schalter	Commande de OC	9 Conmutador de OC
Tuning	10 Afstemming	Abstimmung	Syntoniaison	10 Sintonía
Tone control (high)	11 Toonregelaar (hoog)	Tonregler (hoch)	Contrôle de tonalité (haute)	11 Control de tono (alto)
Ferroceptor	12 Staafantenne	Stabantenne	Antenne en tige	12 Antena de varilla

SPECIFICATION	SPECIFICATIE	SPEZIFIKATION	SPECIFICATION	ESPECIFICACION
Loudspeaker	AD 3570M/06 (5 Ω)	Luidspreker	Lautsprecher	AD 3570M/06 (5 Ω)
Mains voltages	110-127-220-240 V	Netspanningen	Netzspannungen	110-127-220-240 V
Consumption	Max. 21 watt	Verbruik	Verbrauch	Max. 21 watt
Output	2,8 watt	Tilgangsvermogen	Ausgangsleistung	2,8 watt
IF	452 kc/s-00/01 } AM 460 kc/s-19 } AM 10,7 Mc/s } FM	MF	ZF	MF
Dimensions	536x268x185 mm 21,1x10,6x7,3"	Afmetingen	Abmessungen	Dimensions 536x268x185 mm 21,1x10,6x7,3"
			Consummation	Consumo
			Puissance	Potencia de salida
				FI
				Dimensiones

Wave ranges - Golfgebieden - Wellenbereiche - Gammes d'ondes - Márgenes de ondas

LW - LG - LW	- GO - OL : 1053	- 2000	m (285 - 150	kc/s)
MW - MG - MW	- PO - OM : 185	- 588	m (1620 - 510	kc/s)
SW - KO - KW	- OC - OC : 19	- 51	m (15,8 - 5,9	Mc/s)
FM - FM - UKW	- FM - FM : 2,88	- 3,43	m (104 - 87,5	Mc/s)

Transistors :

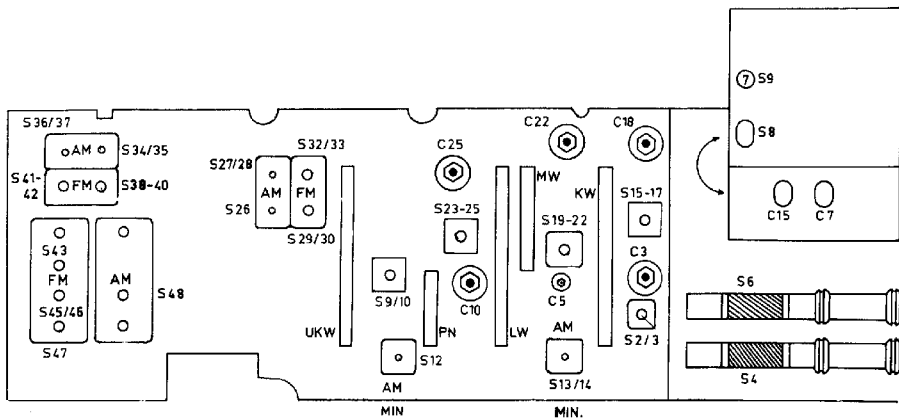
TS1	- AP114
TS2	- AP115
TS3,4,5	- AP116
TS6	- AP117

Diodes:

GR1,2	- OA79
GR3	- OA79
GR4,5	- WRE 981 21/810
GR6	- BA102
GR7,8	- AA119

Dial light - Schaalverlichting - Skalenbeleuchtung - Eclairage de cadran - Alumbrado de cuadrante -
2 x 7 V/0,3 A (2 x 6,3 V/0,3 A)

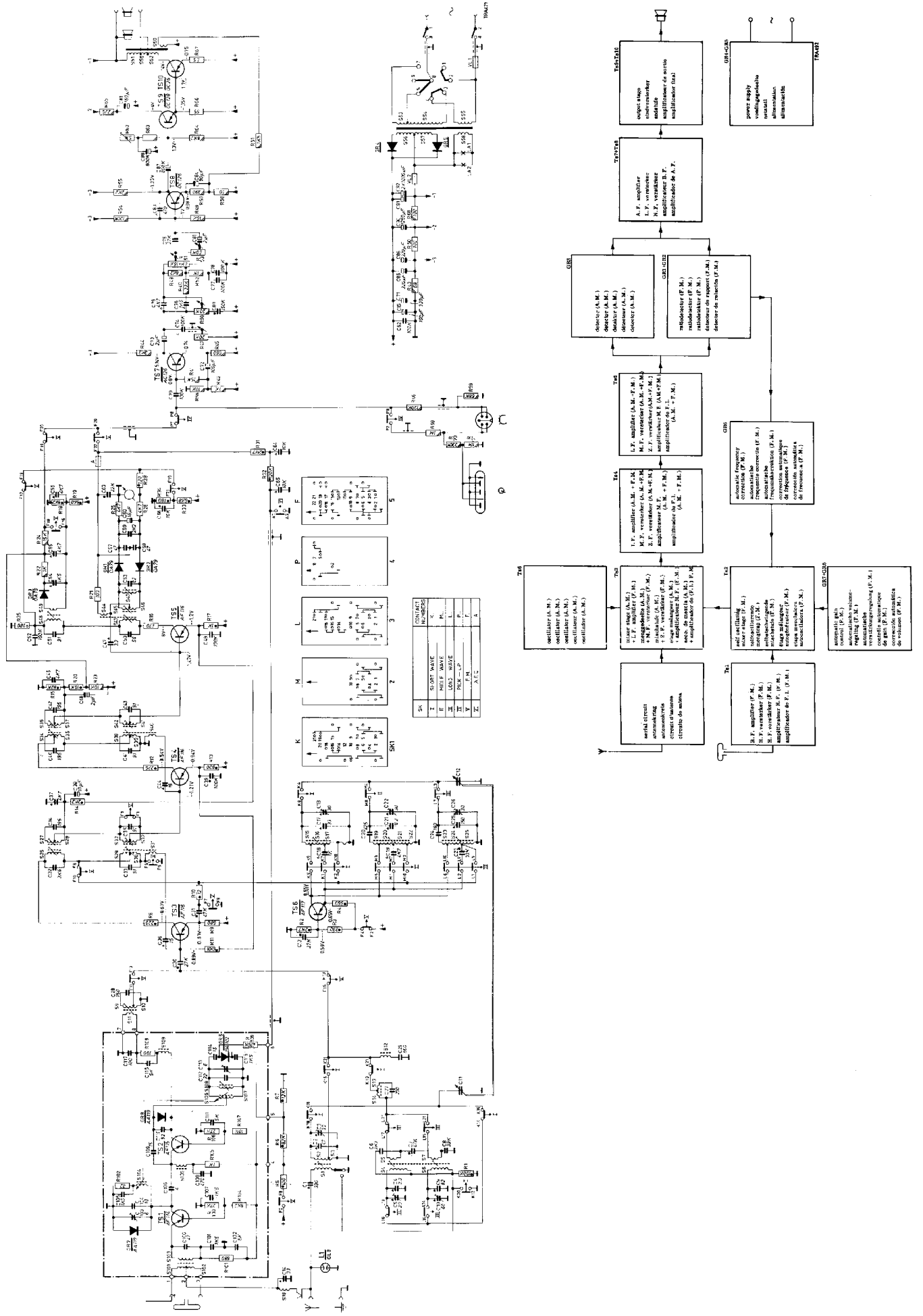
SERVICE INFORMATION									

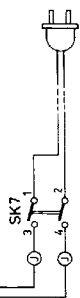
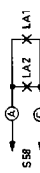
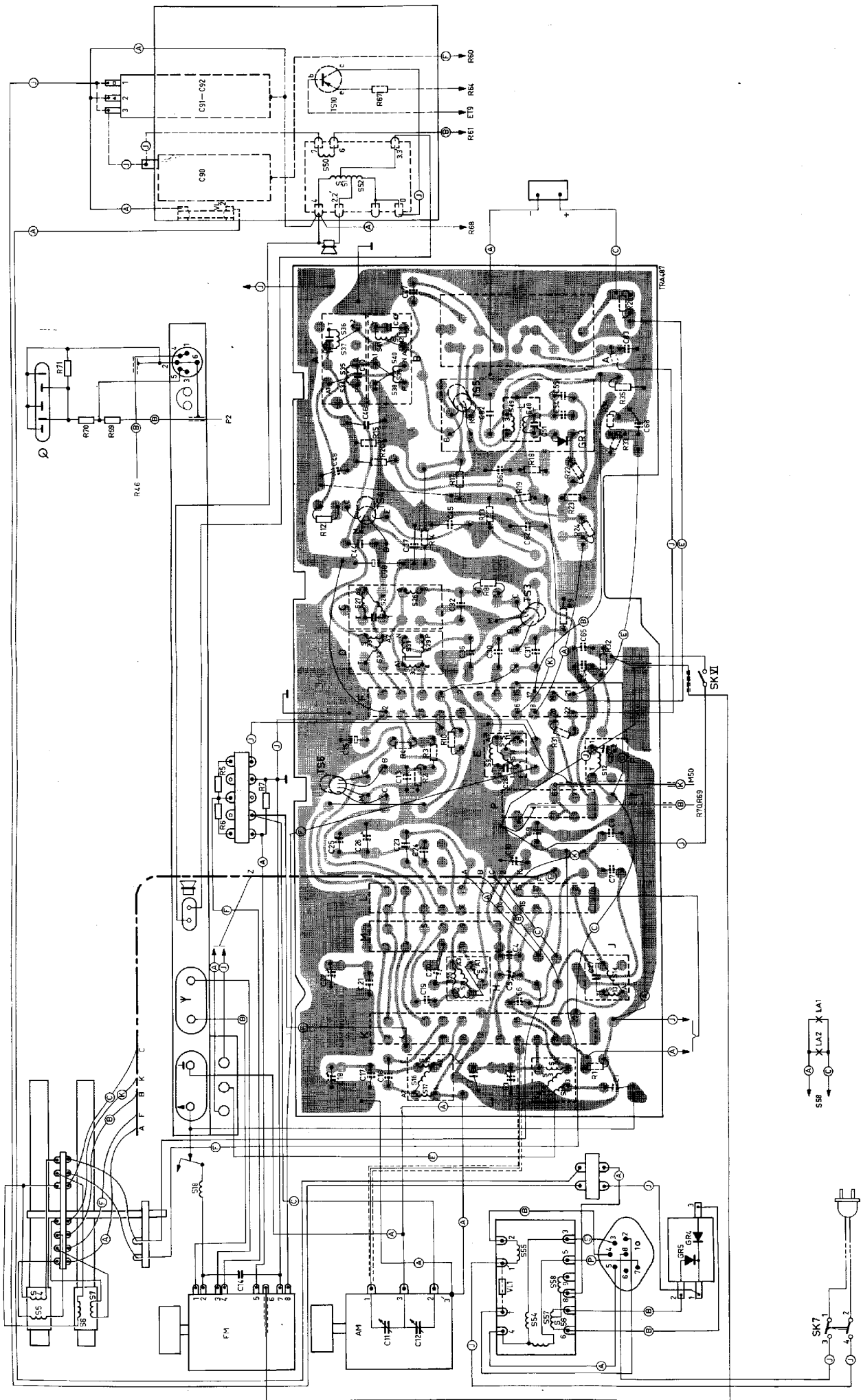


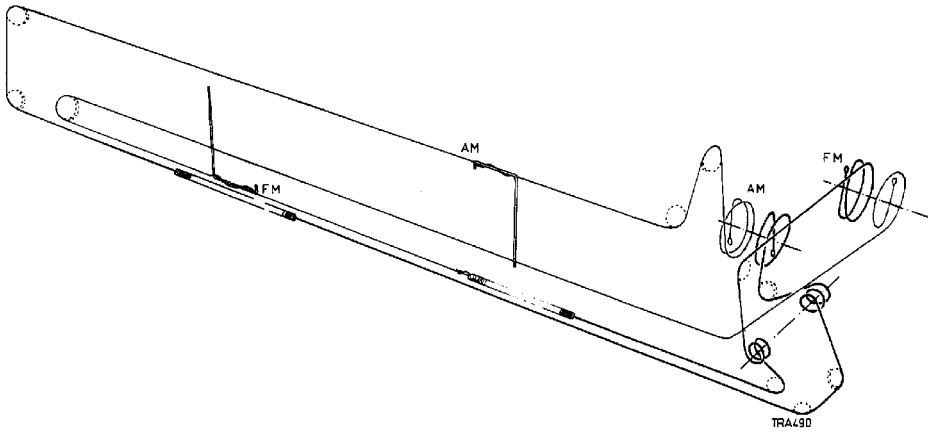
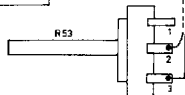
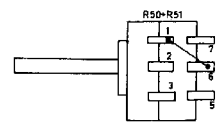
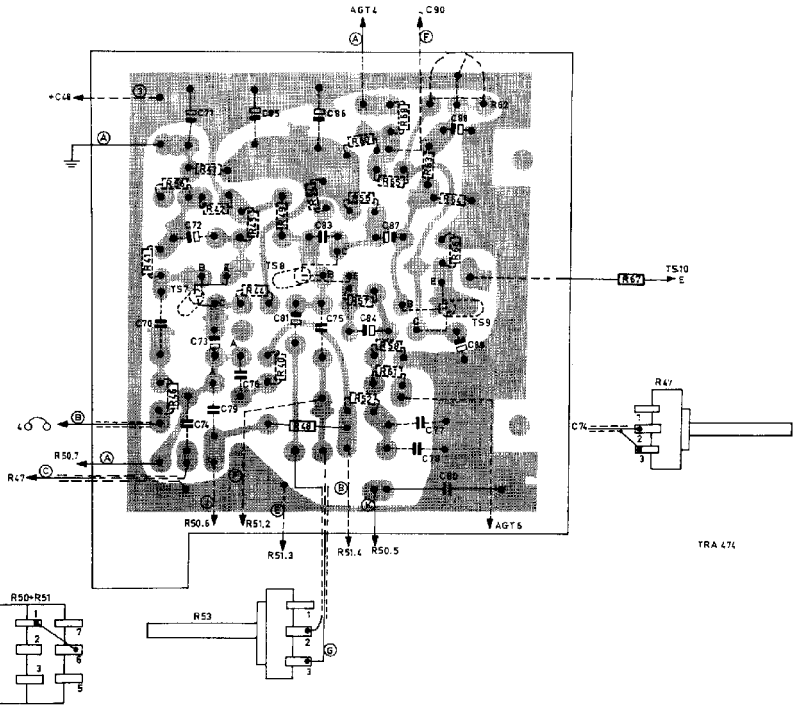
TRA 452A

I.F. (A.M.)	E.F. (A.M.)	2F (AM)	X.F. (A.M.)	F.I. (A.M.)	Servo-Output
Variable capacitor Variablele condensator Condensateur variable Condensador variable	Push button Drukktoets Drucktaste Touche poussoir Pulsador	Signal Signal 450 kc/s (01-02) Signal Signal 450 kc/s (19-62) Defeat		Adjust for max. output Afwegelen op max. uitgangsspanning Abgleichen auf max. Ausgangsspannung Régler à la tension de sortie max. Ajusteouse a salida de tensión max.	Adjust for min. output Afwegelen op min. uitgangsspanning Abgleichen auf min. Ausgangsspannung Régler à la tension de sortie min. Ajusteouse a salida de tensión min.
MAX.	N.W.			S46 S10, S57 S54, S55 S27, S29	
MIN.	0 - MW				
P.O.					S12
O.S.					S13, S14
I.F. (F.M.)	E.F. (F.M.)	2F (F.M.)	X.F. (F.M.)	F.I. (F.M.)	
		10/17MHz MOD FM			
				S43, S44 S44, S45 S50, S55-S40 S32, S33 S29, S50-S51	
	F.M.				
	5 - DEK				
	F.M.			S9, S10 S11 S109	
	F.M.				S47 (O.F.)
		10/17MHz MOD FM			S45, S46 (Mod. A.M.)
I.F. (A.M.)	E.F. (A.M.)	2F (AM)	X.F. (A.M.)	A.F. (A.M.)	
Variable capacitor Variablele condensator Condensateur variable Condensador variable	Push button Drukktoets Drucktaste Touche poussoir Pulsador	Signal Signal 148 kc/s Signal Signal A.M. (Mod. 400 kc/s) Signal Signal 50 %		Adjust for max. output Afwegelen op max. uitgangsspanning Abgleichen auf max. Ausgangsspannung Régler à la tension de sortie max. Ajusteouse a salida de tensión max.	
MAX.	L.W.	148 kc/s - O10		S23, S24, S25	
MIN.	L.O.	267 kc/s - O10		O26	
145 kc/s	7 - LW	165 kc/s - V		S6, S7	
260 kc/s	O.S.	260 kc/s - V		O10	
MAX.	N.W.	506 kc/s - O5		S19, S20, S21, S22	
MIN.	M.W.	1630 kc/s - O5		O22	
550 kc/s	6 - MW	550 kc/s - V		S4, S5	
1450 kc/s	P.O.	1450 kc/s - V		O5	
MAX.	S.W.	5.7 Mc/s - O3		S15, S16, S17	
MIN.	S.W.	16 Mc/s - O3		O18	
5.7 Mc/s	9 - SW	5.7 Mc/s - V		S1, S2, S3	
16 Mc/s	O.C.	16 Mc/s - V		O3	
I.F. (F.M.)	E.F. (F.M.)	2F (FM)	X.F. (F.M.)	A.F. (F.M.)	
Pointer Vijzer Anzeige Aiguille Aplica	104 Mc/s 88 Mc/s 94 Mc/s	F.M. F.M. F.M.	104 Mc/s 88 Mc/s 94 Mc/s		O113 S108 O103
	5 - SW				
	F.M.				
		(FM. MOD.)			

SK CONTACT NUMBERS: 10, 11, 12, 13, 14, 15, 16, 17, 18, 19, 20, 21, 22, 23, 24, 25, 26, 27, 28, 29, 30, 31, 32, 33, 34, 35, 36, 37, 38, 39, 40, 41, 42, 43, 44, 45, 46, 47, 48, 49, 50, 51, 52, 53, 54, 55, 56, 57, 58, 59, 60, 61, 62, 63, 64, 65, 66, 67, 68, 69, 70, 71, 72, 73, 74, 75, 76, 77, 78, 79, 80, 81, 82, 83, 84, 85, 86, 87, 88, 89, 90, 91, 92, 93, 94, 95, 96, 97, 98, 99, 100, 101, 102, 103, 104, 105, 106, 107, 108, 109, 110, 111, 112, 113, 114, 115, 116, 117, 118, 119, 120, 121, 122, 123, 124, 125, 126, 127, 128, 129, 130, 131, 132, 133, 134, 135, 136, 137, 138, 139, 140, 141, 142, 143, 144, 145, 146, 147, 148, 149, 150, 151, 152, 153, 154, 155, 156, 157, 158, 159, 160, 161, 162, 163, 164, 165, 166, 167, 168, 169, 170, 171, 172, 173, 174, 175, 176, 177, 178, 179, 180, 181, 182, 183, 184, 185, 186, 187, 188, 189, 190, 191, 192, 193, 194, 195, 196, 197, 198, 199, 200.







Cabinet, dark (00)	4822 193 00708	Kast, donker (00)	4822 193 00708	GeKäse, dunkel (00)	4822 193 00709	CaJa, oscuro (00)
Cabinet, natural (01)	4822 193 00711	Kast, natural (01)	4822 193 00711	GeKäse, natural (01)	4822 193 00712	CaJa, natural (01)
Cabinet, teak (19)	4822 193 00712	Kast, teak (19)	4822 193 00712	GeKäse, teak (19)	4822 193 00712	CaJa, teak (19)
Rear cover	4822 193 00679	Achterwand	4822 193 00679	Rückwand	4822 193 00679	Panel posterior
Knob (tuning, volume)	4822 193 00635	Knop (afstemming, geluidsterkte)	4822 193 00635	Knopf (Abstimmung Lautstärke)	4822 193 00635	Botón (sintonía)
Knob (tone)	4822 193 00636	Knop (toon)	4822 193 00636	Knopf (Ton)	4822 193 00636	Botón (tono)
Indicator	4822 193 00637	Indicator	4822 193 00637	Indikator	4822 193 00637	Indicador
Foot (frontside)	4822 193 00638	Voet (voorzijde)	4822 193 00638	Pièze (Vordersaite)	4822 193 00638	Patá (parte delantera)
Disc (ferroceptor)	4822 193 00639	Schijf (ferroceptor)	4822 193 00639	Scheibe (Ferroceptor)	4822 193 00639	Disco (ferroceptor)
FM unit	4822 104 00752	FM-eenheid	4822 104 00752	FM-Einheit	4822 104 00752	Unidad de FM
Fuse holder	974/2X20	Smeltveiligheids houder	974/2X20	Sicherungshalter	974/2X20	Porta-fusible
Socket (aerial L&S)	JR 303 02	Contrastecker (Antenna L&S)	JR 303 02	Kontrastecker (Antenna L&S)	JR 303 02	Buchseembra (antena altavoz)
Female plug (vac.)	A3 798 88	Contrastecker (mag.)	A3 798 88	Kontrastecker (FB)	A3 798 88	Buchseembra (mag.)
Female plug (FM)	975/PX1	Contrastecker (FM)	975/PX1	Kontrastecker (FA)	975/PX1	Buchseembra (ferroceptor)
Voltage adapter	4822 193 00639	Spanningsomschakelaar	4822 193 00639	Spannungsumschalter	4822 193 00639	Selector de tensión
Leap holder	A3 311 15	Lamphouder	A3 311 15	Lampenfassung	A3 311 15	Portalámpara
Dial 00-01 (SB)	4822 193 00713	Schaal 00-01 (SB)	4822 193 00713	Skala 00-01 (SB)	4822 193 00713	Quadrante 00-01 (SB)
Dial 19 (SCAN)	4822 193 00714	Schaal 19 (SCAN)	4822 193 00714	Skala 19 (SCAN)	4822 193 00714	Quadrante 19 (SCAN)
Grommet (variable capacitor)	28 725 52.1	Tule (voor variabele condensator)	28 725 52.1	Tülle (für variable Kondensator)	28 725 52.1	Manguito (para condensator variable)
Push button	4822 162 01034	Druktoets	4822 162 01034	Drucktaste	4822 162 01034	Toella
Spring (on mains switch)	4822 106 00451	Veer (op netschakelaar)	4822 106 00451	Feder (auf Netzschalter)	4822 106 00451	Resorte (conj. de red)
Spring (in push button)	4822 106 00452	Veer (in druktoets)	4822 106 00452	Feder (in Drucktaste)	4822 106 00452	Resorte (de tecla)
Spring (on push button)	4822 106 00453	Veer (op druktoets)	4822 106 00453	Feder (auf Drucktaste)	4822 106 00453	Resorte (en tecla)
Switch FM (SK1)	4822 193 00641	Schakelaar FM (SK1)	4822 193 00641	Schalter FM (SK1)	4822 193 00641	Commutador FM (SK1)
Slider (SK1)	4822 193 00642	Schuif (SK1)	4822 193 00642	Schiebe (SK1)	4822 193 00642	Placa deslizante (SK1)
Switch SW (SK2)	4822 193 00643	Schakelaar SW (SK2)	4822 193 00643	Schalter SW (SK2)	4822 193 00643	Commutador de Fonoceptor
Slider (SK2)	4822 193 00644	Schuif (SK2)	4822 193 00644	Schiebe (SK2)	4822 193 00644	Placa deslizante (SK2)
Switch LW (SK3)	4822 193 00645	Schakelaar LG (SK3)	4822 193 00645	Schalter LW (SK3)	4822 193 00645	Commutador OL (SK3)
Slider (SK3)	4822 193 00646	Schuif (SK3)	4822 193 00646	Schiebe (SK3)	4822 193 00646	Placa deslizante (SK3)
Switch SW (SK4)	4822 193 00647	Schakelaar HW (SK4)	4822 193 00647	Schalter HW (SK4)	4822 193 00647	Commutador OM (SK4)
Slider (SK4)	4822 193 00648	Schuif (SK4)	4822 193 00648	Schiebe (SK4)	4822 193 00648	Placa deslizante (SK4)
Switch SW (SK5)	4822 193 00649	Schakelaar KG (SK5)	4822 193 00649	Schalter KW (SK5)	4822 193 00649	Commutador OC (SK5)
Slider (SK5)	4822 193 00651	Schuif (SK5)	4822 193 00651	Schiebe (SK5)	4822 193 00651	Placa deslizante (SK5)
Mainz switch	4822 012 00079	Netschakelaar	4822 012 00079	Netzschalter	4822 012 00079	Commutador de red

81	Aerial coil (SW)	S15	Oscillator coil (SW)	S29	IF Band-pass filter (FM)
82	Antennespoel (K2)	S15	Oscillatortroepel (K2)	S30	MF-Bandfilter (FM)
83	Bobina d'antenna (00)	S16	Bobina d'oscillatortroepel (00)	S31	IF Band-pass filter (AM)
84	Antennenspule (Kw)	S17	Bobina de oscilador (00)	S32	MF-Bandfilter (AM)
85	Bobina de antenna (00)			S33	IF Band-pass filter (FM)
86	Ferroceptor			S34	MF-Bandfilter (AM)
87	Ferroceptor	S18	Aerial coil (FM)	S35	IF Band-pass filter (AM)
88	Ferroceptor		Antennespoel (FM)	S36	MF-Bandfilter (AM)
89	Ferroceptor		Bobina d'antenna (FM)	S37	IF Band-pass filter (AM)
90	Ferroceptor		Antennenspule (FM)	S38	MF-Bandfilter (AM)
91	Ferroceptor		Bobina de antenna (FM)	S39	IF Band-pass filter (AM)
92	IF coil (FM)	S19	Oscillator coil (FM)	S40	IF Band-pass filter (FM)
93	MF-spool (FM)	S20	Oscillatortroepel (FM)	S41	MF-Bandfilter (FM)
94	Bobine de FI (FM)	S21	Bobine d'oscillatortroepel (FM)	S42	IF Band-pass filter (FM)
95	ZF-spule (FM)	S22	Oscillatortroepule (FM)	S43	MF-Bandfilter (FM)
96	Bobina FI (FM)	S23	Bobina de oscilador (FM)	S44	IF Band-pass filter (AM)
97	IF absorption circuit (AM)	S24	Oscillator coil (LW)	S45	Ratio detector (FM)
98	MF-winding (AM)	S25	Oscillatortroepel (LW)	S46	Ratio detector (AM)
99	Circuit d'absorption FI (AM)	S26	Bobine d'oscillatortroepel (LW)	S47	Ratio detector (FM)
100	ZF-Saugkreis (AM)	S27	Oscillatortroepule (LW)	S48	Ratio detector (AM)
101	Circuit de absorción (AM)	S28	Bobina de oscilador (LW)	S49	Ratio detector (FM)
102	IF wave trap (AM)	S29	IF Band-pass filter (AM)	S50	IF Band-pass filter (AM)
103	MF-blokkewkring (AM)	S30	MF-Bandfilter (AM)	S51	MF-Bandfilter (AM)
104	Circuit bouillon FI (AM)	S31	IF Band-pass filter (FM)	S52	IF Band-pass filter (AM)
105	ZF-Sperrkreis (AM)	S32	IF Band-pass filter (FM)	S53	IF Band-pass filter (AM)
106	Circuito tapón FI (AM)	S33	IF Band-pass filter (FM)	S54	IF Band-pass filter (AM)
107		S34	IF Band-pass filter (FM)	S55	IF Band-pass filter (AM)
108		S35	IF Band-pass filter (FM)	S56	IF Band-pass filter (AM)
109		S36	IF Band-pass filter (FM)	S57	IF Band-pass filter (AM)
110		S37	IF Band-pass filter (FM)	S58	IF Band-pass filter (AM)
111	49 002 67	R47	4822 071 00618	S59	Loudspeaker transformer
112		R50	4822 071 00621	S60	Lautsprechertransformator
113	C 426 02/2160	R51	4822 071 00621	S61	Transformateur de haut-parleur
114	CB4 909/W80	R52	4822 071 00621	S62	Lautsprechertransformator
115	C 426 AM/70.8	R53	4822 071 00619	S63	Transformador de altavoz
116	CP0 C 430 3L/B1250	R62	E 097 AC/SK	S64	Mainz transformator
117	CP1 4822 069 00605	R67	901/V1E5	S65	Netztransformator
				S66	Transformateur de réseau
				S67	Netztransformator
				S68	Transformador de red